

# MURPHY BED MECHANISM ASSEMBLY

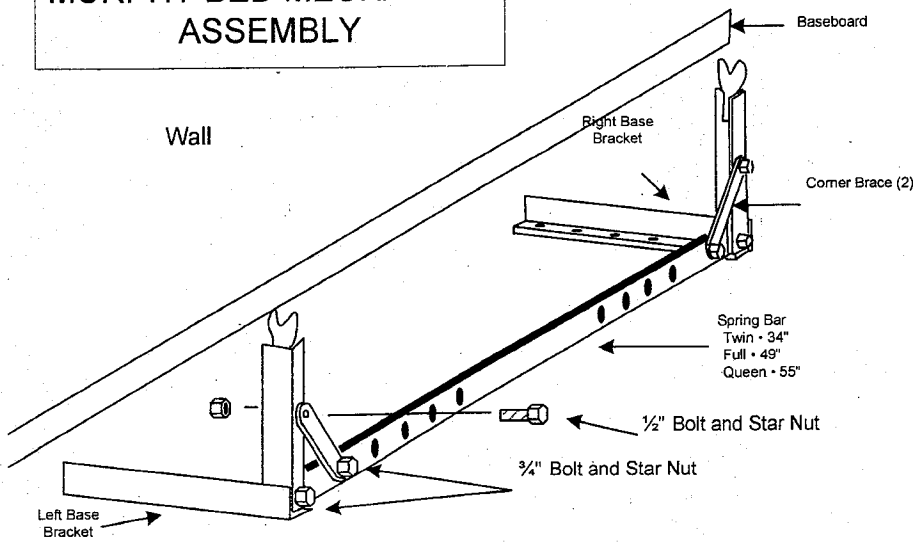
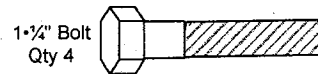
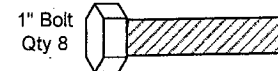
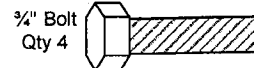
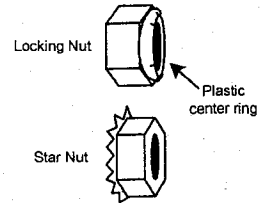


Figure 1



## READ ALL INSTRUCTIONS BEFORE STARTING

### Floor Base Assembly

1. Remove components from package. NOTE: Mattress will be slightly larger than assembled bed frame.
2. Lay Spring Bar (J,J1, or J2) on floor as shown in Figure 1.
3. Attach Left (K) and Right Base (H) Brackets to Spring Bar (J,J1ORJ2) using 3/4\" Bolt and Star Nut as shown.
4. Attach Corner Braces (I) to both Base Brackets with 1/2\" Bolt and to Spring Bar with 3/4\" Bolt with Star Nuts.
5. Position frame on floor inside of Main Cabinet or closet allowing for equal space on the left and right side.
6. Position front of frame (Spring Bar) a minimum of 14\" from wall or flush with the inside of the cabinet and mark holes on floor for mounting Base Brackets.

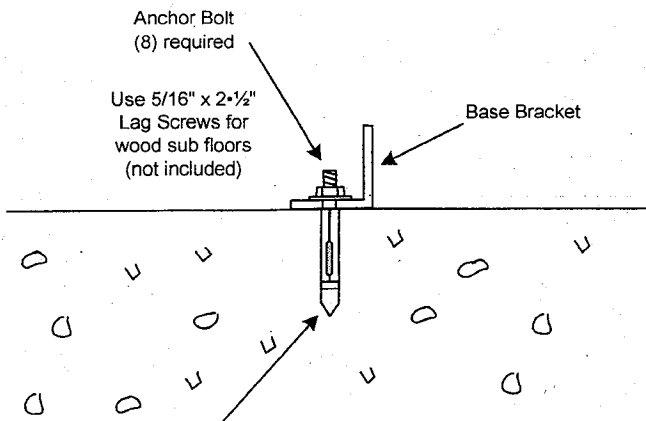


Figure 2

7. Remove frame and cut a flap in carpet where Base Bracket will come in contact with floor. Drill 5/16\" holes in concrete 1-3/4\" deep and install anchors with metal sleeve so that sleeve is flush with the floor. Use hammer to insert anchor into floor Figure 2 a. If installing on wood sub-floors, drill small pilot hole for 5/16\" x 1 1/2\" Lag Screws and washers (not included).

NOTE: It is best if mechanism comes in direct contact with your home's sub-floor. If this is not possible, we suggest you purchase longer anchors to account for the thickness of your flooring material.

8. After all anchors are inserted, place Floor Base Assembly over anchors, add washers and nuts (finger tighten). For wood sub-floors, start Lag Screws in pilot holes with fingers. Note: When installing inside a cabinet, attach springs to Spring Bar with lower hook on spring facing away from wall before mounting assembly to floor. Silver springs to outside and Black springs toward center.

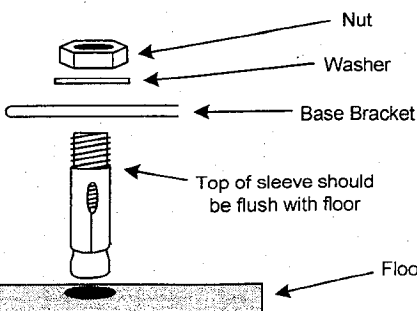


Figure 2 a

9. Starting with anchors furthest from wall. Tighten one anchor on left side then one on right side and continue switching sides until all anchors are tight. Note: Apply pressure by standing on Floor Base Assembly to fasten tight to floor.

### Bed Frame Assembly

10. Lay parts flat out on floor so holes in Cross Bars are on floor and angle is pointing up and Pivot Knob is visible on Side Rails as shown in Figure 3.

11. Attach Cross Bars (A,A1orA2), (B,B1 or B2) and Spring Bar Assembly (E, E1 or E2) to Side Rails (C), (D), bringing Bolt through Side Rail into Cross Bar so head of bolt is touching floor and nuts can be HAND tightened.

12. Make sure frame is square by measuring the distance from corner to corner diagonally. When the distances are the same, tighten all nuts.

13. Flip assembled Bed Frame over and attach two angle brackets (F) to head end of Spring Bar Assembly, then attach mattress stop cross bar (G,G1 or G2) (shorter thin bar with rounded ends) with bolts inserted from mattress side of stop. Figure 4

14. Place Bed Frame Assembly in vertical position onto Floor Base Assembly with angled piece of Spring Bar Assembly facing toward wall.

15. Attach Left (L) and Right (M) Legs to Side Rails of frame and snug tighten. Figure 6. Note: Use upper hole in Leg which should be closer to the wall. This determines left and right leg. NOTE: The Locking Nuts should only be tightened enough so that plastic center ring of nut comes into contact with bolt threads.

16. Attach remaining 1" x 1" Cross Bar (Q,Q1 or Q2) to bent end of Legs using Adjustable Foot as shown in Figure 6.

17. Attach one end of Leg Actuator Bars (N) (flat bars with rounded ends) to leg assemblies as shown in Figure 6 and snug tighten.

18. Attach other end of Leg Actuator to Floor Base Assembly as shown in Figure 7 and snug tighten.

19. Bring frame down slowly to horizontal position. BE CAREFUL frame will be heavy.

20. Install our 1" foundation (sold separately) or place 5/8" thick plywood foundation substitute (not included) onto the frame and return frame to vertical position while holding foundation against frame. If using plywood, it will be slightly elevated at the head end of the bed due to the angled piece of the Spring Bar Assembly. You can cut your plywood short to avoid the angled piece if desired.

21. While holding the end of the nylon strap between the frame Side Rail and the foundation near the foot end of the bed, attach the foundation with #8 BY 3/4 panhead wood screws (not included) through the Side Rails of bed frame, through the strap and into the foundation.

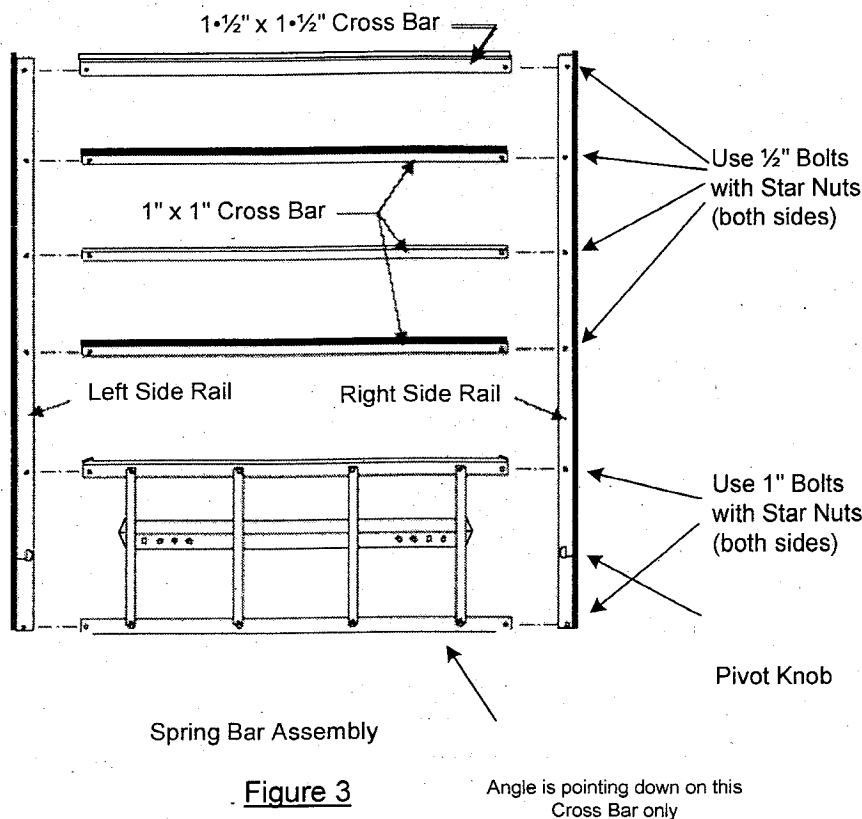


Figure 3

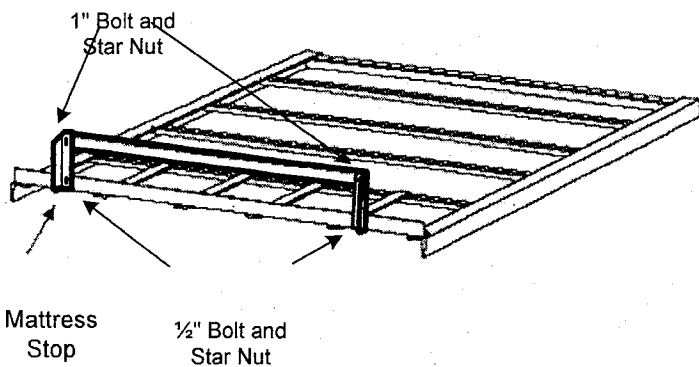


Figure 4

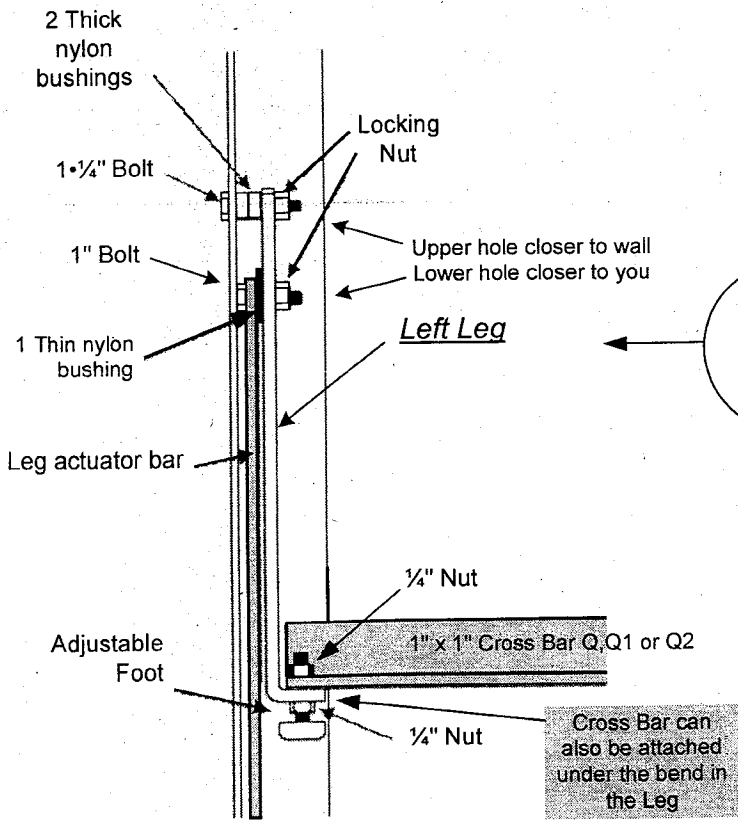


Figure 6

Use second hole down to attach Leg so it is even with the first 1" x 1" Cross Bar

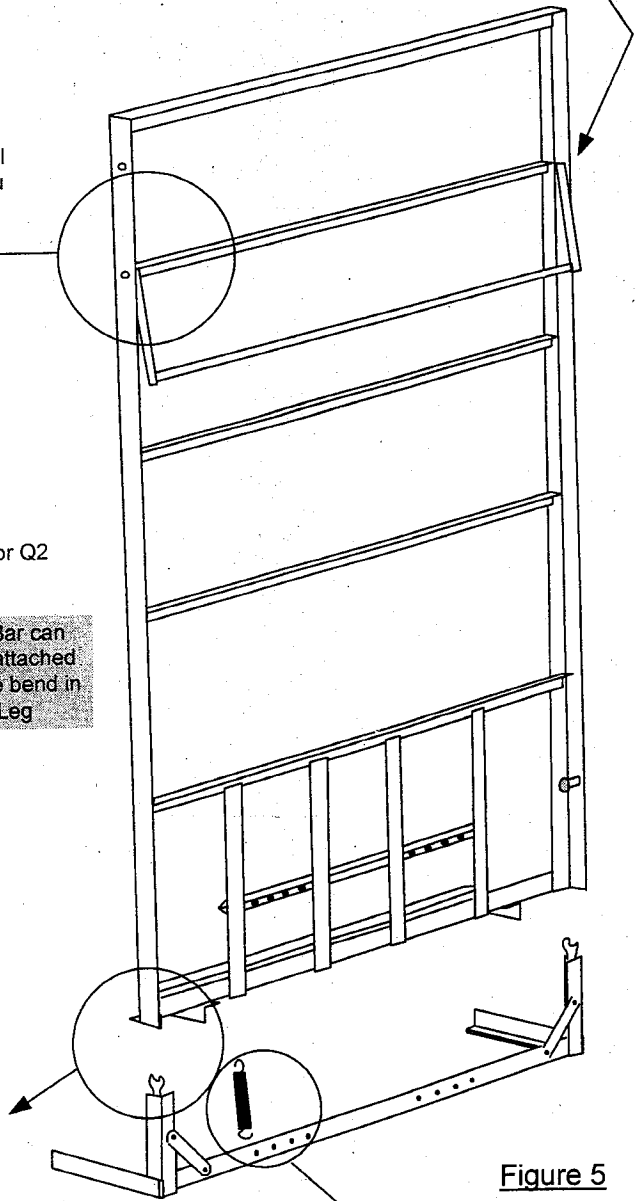


Figure 5

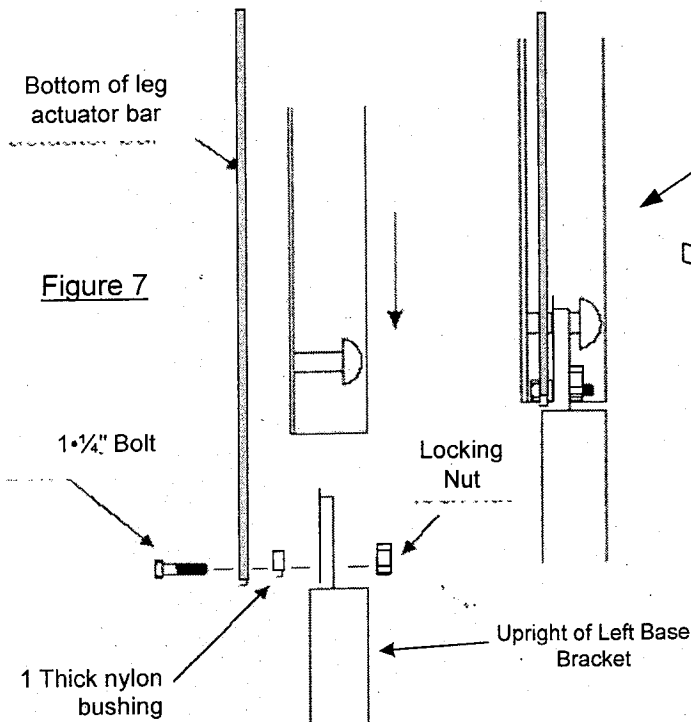


Figure 7

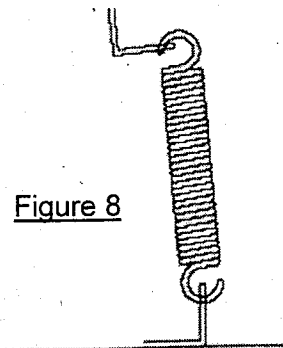


Figure 8

22. Attach loose end of one spring on each side of bed to the Spring Bar Assembly. Use vice grips or pliers to hold the end of the spring while pulling up to engage end of spring into hole.
23. Slowly lower bed frame to horizontal position.
24. Place mattress onto the foundation and secure by connecting the plastic buckle of the nylon mattress strap.  
Note: If you will be using a dust ruffle, put it on the foundation before adding the mattress. You can make a small incision in the fabric of the dust ruffle to create a slot for the mattress strap. This will allow the dust ruffle to lay straight while the bed strap is in use.
25. Return frame to vertical position and attach remaining springs (black toward center and silver toward sides).
26. Lower frame and adjust feet to level bed.  
Note: If bed "floats" from the floor, remove one inner spring at a time until you achieve the desired effect.

**You did it! Enjoy your new Murphy Bed.**

### **Using your Murphy Bed**

*When lowering your Murphy Bed...* grab any of the Cross Bars and simply walk backwards. With the bed all the way down, undo the plastic buckle, allow the mattress strap to lie on the floor under the bed and your bed is ready for use.

*When raising your Murphy Bed...* pull both ends of the mattress strap around the bed and over the sheets and blankets to engage the plastic buckle, then lift up on the foot end of the bed. Hold onto one of the Cross Bars or the folding leg and walk the bed back towards the wall.

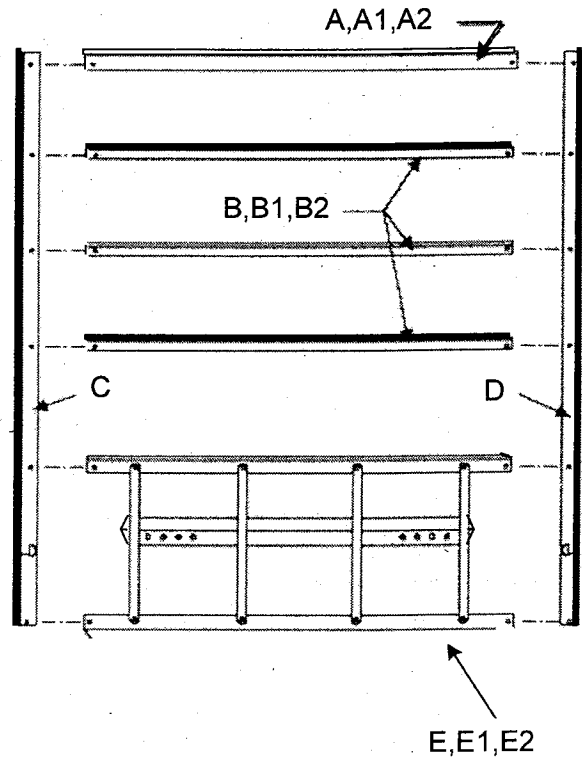
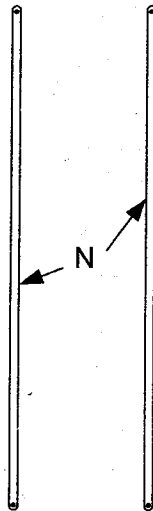
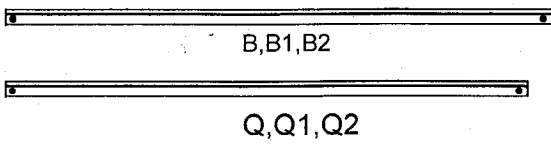
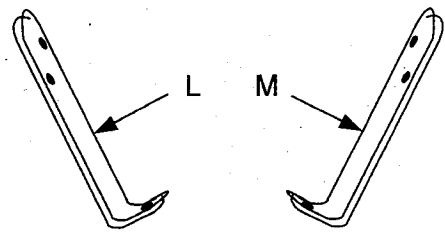
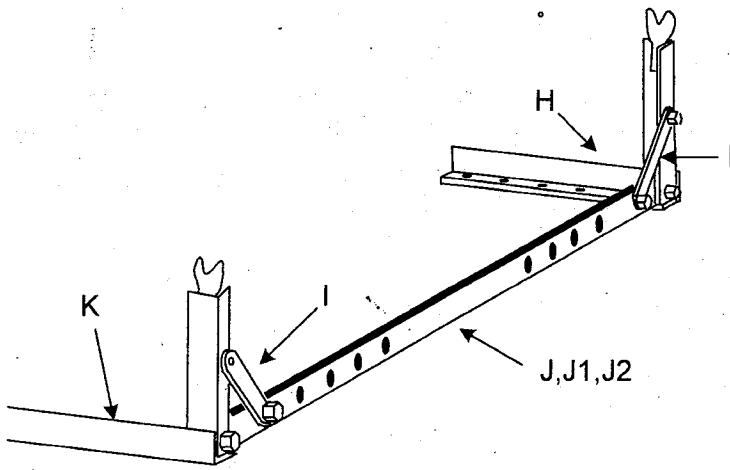
**BASIC CABINET CUTLIST SIZES** THESE DIMENSIONS WILL GIVE YOU THE MINIMUM INSIDE OPENINGS REQUIRED. YOU CAN INCREASE IN ANY DIRECTION YOU JUST CAN'T REDUCE THE SIZE.

THE DOOR SIZE IS ASSUMING (3/4 IN MATERIAL), AND USING FULL OVERLAY HINGES. IF YOU DON'T YOU NEED TO ADJUST THE DOOR WIDTHS ACCORDINGLY. THESE DOOR DIMENSIONS ASSUME 1/8 SPACE BETWEEN THE DOORS.

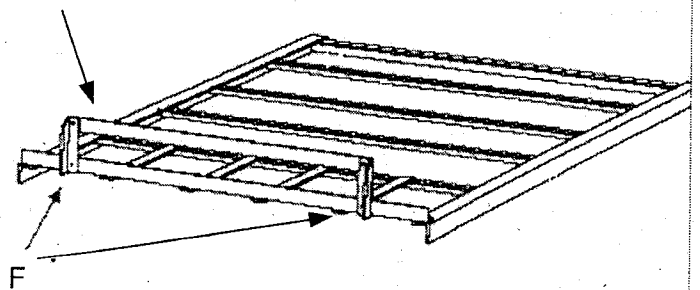
**QUEEN** 2- SIDES MIN 15 INCHES DEEP BY 87 INCHES TALL; 1- TOP MIN 15 INCHES DEEP BY 64.5 INCHES WIDE; 1- REAR SUPPORT 15 INCHES BY 64.5 INCHES WIDE; 1- FRONT TOE KICK 4 INCHES BY 64.5; 4- DOORS 16 3/8 WIDE BY 83 INCHES TALL.

**FULL** 2- SIDES MIN 15 INCHES DEEP BY 82 INCHES TALL; 1- TOP MIN 15 INCHES DEEP BY 58.5 INCHES WIDE; 1- REAR SUPPORT 15 INCHES BY 58.5 INCHES WIDE; 1- FRONT TOE KICK 4 INCHES BY 58.5; 4- DOORS 14 7/8 WIDE BY 78 INCHES TALL.

**TWIN** 2- SIDES MIN 15 INCHES DEEP BY 82 INCHES TALL; 1- TOP MIN 15 INCHES DEEP BY 43.5 INCHES WIDE; 1- REAR SUPPORT 15 INCHES BY 43.5 INCHES WIDE; 1- FRONT TOE KICK 4 INCHES BY 43.5; 3- DOORS 14 7/8 WIDE BY 78 INCHES TALL.

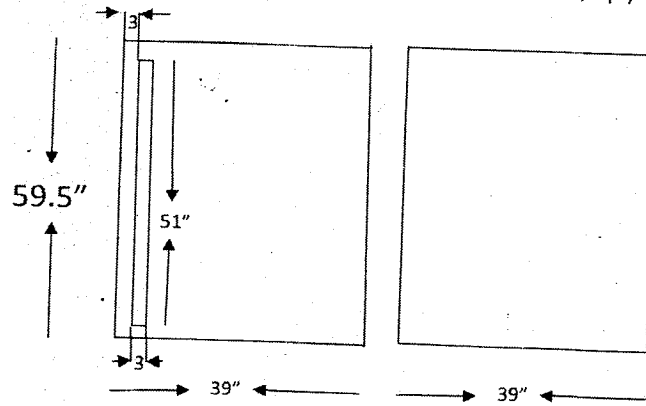


G, G1, G2

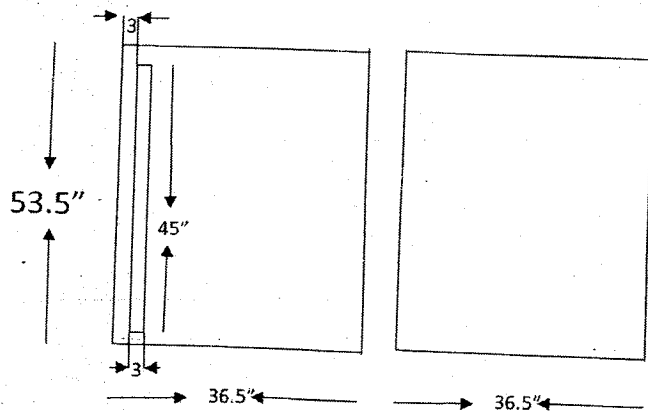


- A, A1, A2. 1½" x 1½" Cross Bar
- B, B1, B2. 1" x 1" Cross Bar (3 used)
- C. Left Side Rail
- D. Right Side Rail
- E, E1, E2. Spring Bar Assembly
- F. Mattress Stop Angle Brackets (2 used)
- G, G1, G2. Mattress Stop Cross Bar
- H. Right Base Bracket
- I. Corner Braces (2 used)
- J, J1, J2. Spring Bar
- K. Left Base Bracket
- L. Left Leg
- M. Right Leg
- N. Leg Actuator Bar (2 used)
- Q, Q1, Q2. Leg Cross Bar

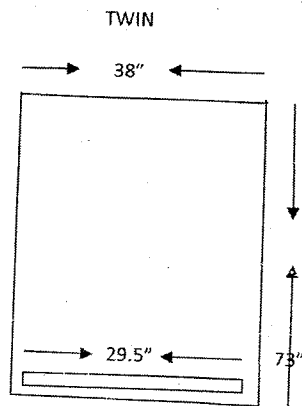
CUTLIST FOR FOUNDATIONS 5/8 plywood



QUEEN



FULL



TWIN